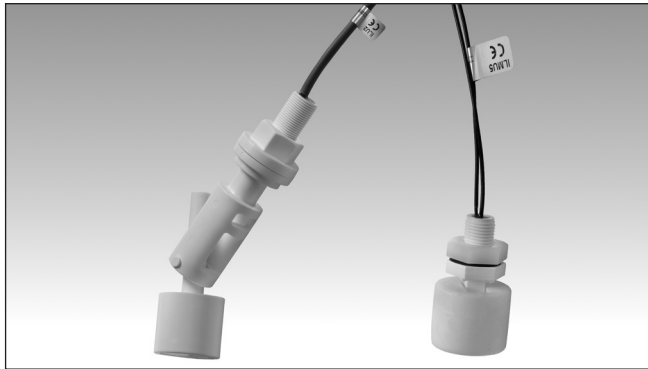


Proximity Magnetic sensors Level Magnetic Sensors ILMPU, ILU and ILMU Series



- Cylindrical, non toxic polypropylene housing
- NO, NC or CO output functions
- Reversible output function by sensor housing over turning
- XLPE, PVC or silicone cable output connection
- Horizontal mounting
- ILU series sensors are suitable for direct contact with foodstuff

Product Description

These models, for horizontal mounting, are made in non-toxic polypropylene. The ILMPU model, the smallest one, can be used both as a NO and NC function depending on the mounting direction

Ordering Key

ILU S2

Type _____
Reed contact type _____

Type Selection

Float diameter	Connection	Output function	Food Contact approval**	Reference
Ø 17.5 mm	XLPE cable L= 0.3 m	NO, NC*	NO	ILMPU 5
Ø 31 mm	PVC cable L= 0.3 m	NO, NC*	NO	ILMU 5
Ø 45 mm	Silicone cable L= 0.5 m	NO	YES	ILU 2
Ø 45 mm	Silicone cable L= 0.5 m	NO	YES	ILU 8
Ø 45 mm	Silicone cable L= 0.5 m	CO	YES	ILU S 2

* Reversible output function by sensor housing overturning

** See Food Contact approvals on page 2

Output Specifications

Output ILMPU5, ILMU5 ILU2, ILU8 ILUS2	NO, NC NO Change-over
Contact ratings Max Switching Voltage ILU2 ILMPU5, ILMU5 ILU8 ILUS2 Max Switching Current ILU2 ILMPU5, ILMU5 ILU8 ILUS2 Max Switching Power ILU2 ILMPU5, ILMU5 ILU8 ILUS2	250 VAC 240 VAC, 200 VDC 1000 VAC 230 VAC 3 A 0.5 A 3 A 1 A 100 VA 50 VA 120 VA 60 VA

General Specifications

Operating temperature ILMPU5, ILMU5 ILU2, ILU8, ILUS2	-20 to +80 °C -25 to +100 °C
Degree of protection	IP 68 (cable output IP67)
Float Diameter ILMPU5 ILMU5 ILU2, ILU8, ILUS2 Material	Ø 17.5 mm Ø 31 mm Ø 45 mm non toxic polypropylene
Min liquid specific gravity ILMPU5, ILMU5 ILU2, ILU8, ILUS2	0.70 kg/dm ³ 0.75 kg/dm ³
Max pressure ILMPU5, ILMU5 ILU2, ILU8, ILUS2	2 kg/cm ² 100 kg/cm ²
CE-marking	Yes



Food Contact approvals for ILU2, ILU8 and ILUS2 sensors

ILU series sensors fulfil the requirements on materials and articles used for food contact as described in:

- Regulation 1935/2004/EC
- Regulation 2023/2006/EC
- Regulation 10/2011/EC
- Danish executive order, BEK nr 681 as of 25.05.2020
- FDA 21 CFR § 177.2600 as rubber articles for repeated use
- BfR XV, Silicone as of 01.06.2019

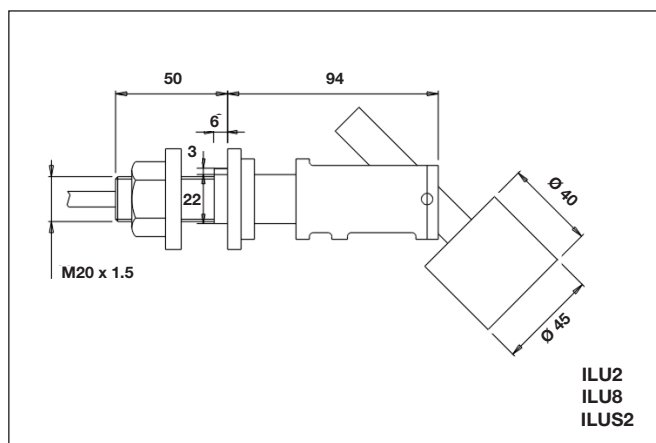
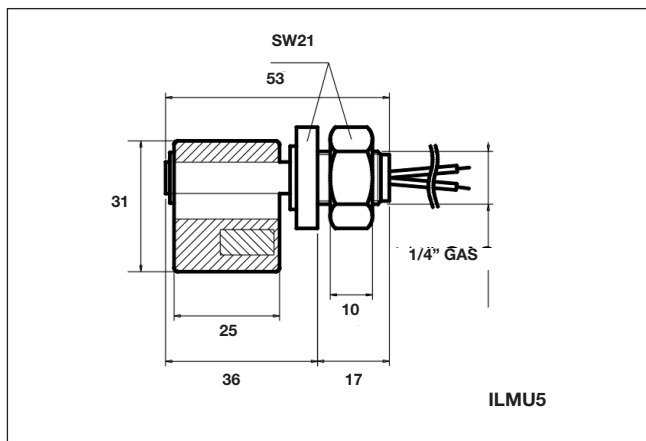
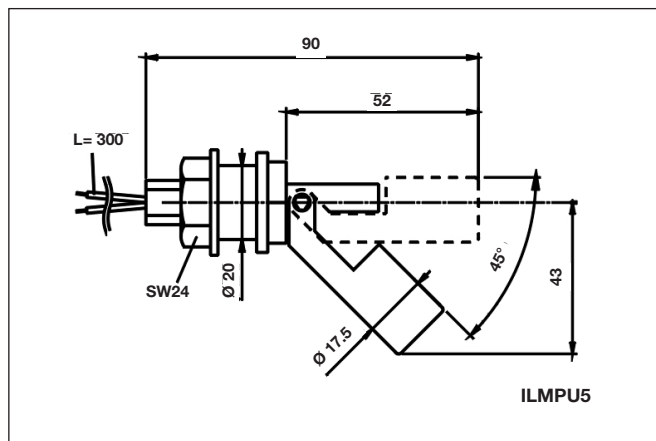
ILU series sensors are suitable for direct contact with foodstuff, in any contact conditions that includes:

- heating up to 70°C for up to 2 hours, or up to 100°C for up to 15 minutes, which are not followed by long term room or refrigerated temperature storage.
- Ratio of food contact surface area to volume: 4 dm²/l

ILU series sensors are tested according to:

- Overall Migration repeated test Regulation 10/2011
- Sensory analysis, Regulation 1935/2004/EC
- Water reflux 7 hours + 2 hours, FDA 21 CFR § 177.2600
- n-Hexane reflux 7 hours + 2 hours, FDA 21 CFR § 177.2600
- Peroxide value, BfR XV, on silicone

Dimensions





Wiring Diagrams

