

Hand encoders

Lengths up to 15 meters



FNC EL and ELT hand encoders

200

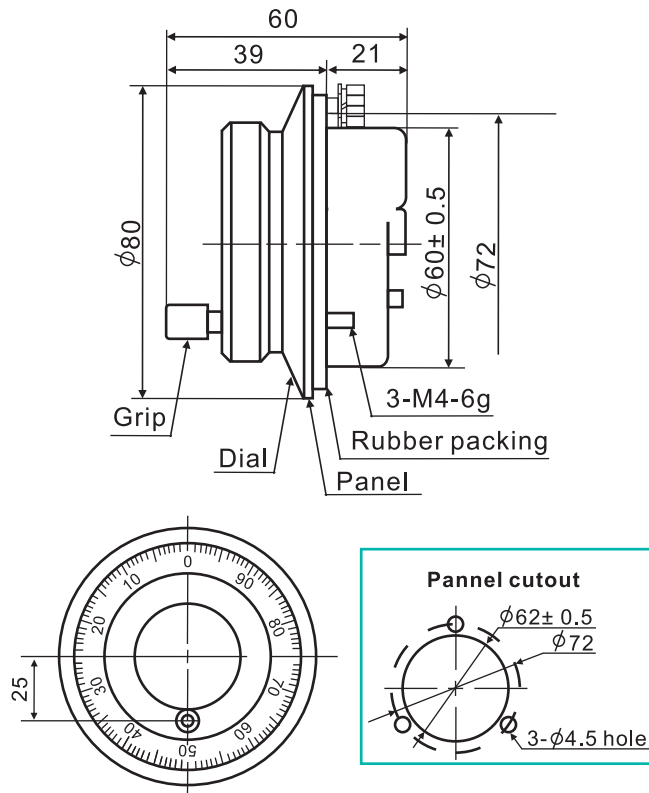


FNC EL 100

Features

- Manuel puls encoder
- 60mm, 80mm diameter housing
- 100PPR option
- Voltage output or LD output
- Operating temperature : -10...+80 °C
- Weight : 250 g
- Normal rotational speed : max 200 r / min
- Current consumption : max 60mA
- Frequency response : 5kHz

Dimensions

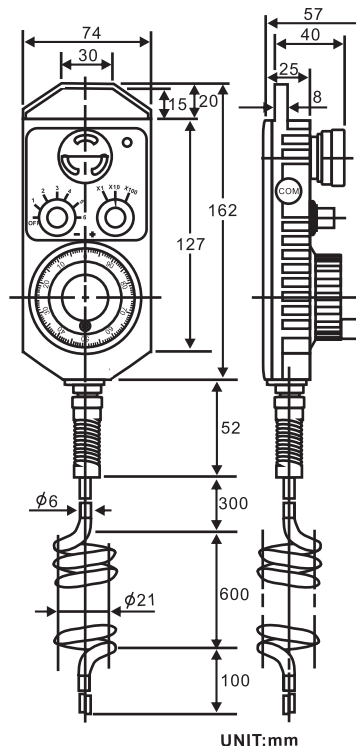


FNC ELT 100

Features

- Hand held manuel puls encoder
- Axis select switch
- Rate override switch
- Reset switch
- 100PPR option
- Voltage output or LD output
- Operating temperature : -10...+80 °C
- Weight : 450 g
- Normal rotational speed : max 200 r / min
- Current consumption : max 60mA
- Frequency response : 5kHz

Dimensions



Connection

