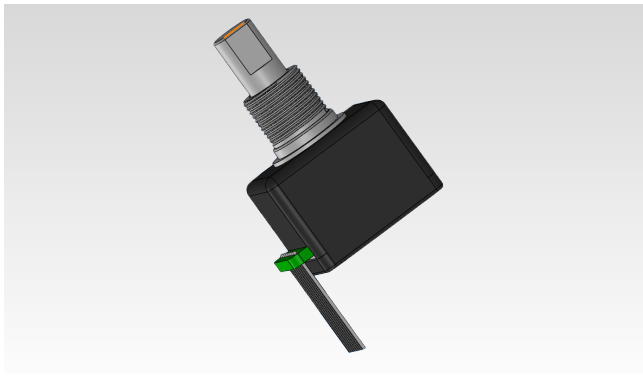


FNC Miniature Encoder Absolute Version



Features

- Push-button function logic 1/ logic 0
- Gray output : Push pull driver with 1,6Ma
- Low power consumption from single 4,5V to 5,5V supply

Technical data - electrical ratings

Supply Voltage	4,5V - 5,5V
Supply Current	15 mA
Max Rotation Speed	300 RPM
Push Button function	Logic 1 / Logic 0
Coding	5 bit gray output Push-pull driver with 1,6 mA

Technical data - mechanical design

Operating Temperature	-40 to +105 °C
Housing	Derlin
Detent Spring	301

Part Number

FNC ME 5 A 8 02 00 S

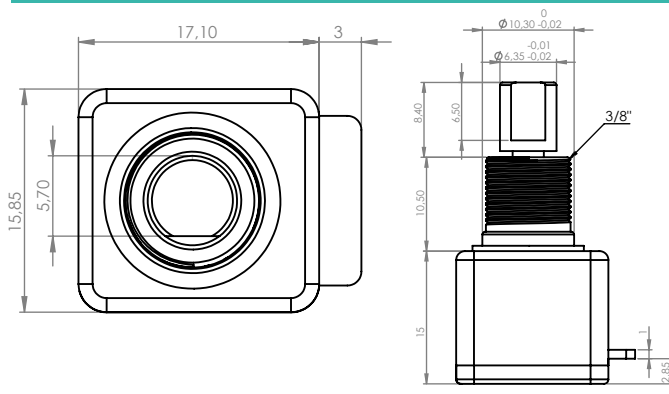
- ME** : Miniature Encoder
- Output Voltage**
5 : 5V
3 : 3V
- A** : Absolute Encoder
- Angle of throw :**
8 : 45° 8 positions
16 : 22,5° 16 positions
30 : 12° 30 positions
32 : 11,25° 32 positions
- Termination**
S: Stripped cable
SC: Stripped cable with connector AMPP/N 3-640442-6
P: Pin Header
- Cable Length**
00 : No cable 20 : 20 cm cable
10 : 10 cm cable 30 : 30 cm cable
15 : 15 cm cable (other customer request)
- Push button option**
01: with push button
02: without push button

Output Code

5 BIT (30 Position, Power, Error)					
Position	Q4	Q3	Q2	Q1	Q0
Power off					*
1				*	*
2				*	*
3				*	
4			*	*	
5			*	*	*
6			*	*	*
7			*		
8		*	*		
9		*	*	*	*
10		*	*	*	*
11		*	*	*	
12		*	*	*	
13		*	*	*	*
14		*	*	*	*
15		*			
16	*	*			
17	*	*			*
18	*	*		*	*
19	*	*	*	*	*
20	*	*	*	*	*
21	*	*	*	*	*
22	*	*	*	*	*
23	*	*	*	*	
24	*		*		
25	*		*	*	*
26	*	*	*	*	*
27	*	*	*	*	*
28	*			*	
29	*			*	*
30	*			*	*
Error	*				

* Logic High

Mechanical Dimensions



Cable Wiring / Connector

Pin	Function
1	Q4
2	Q3
3	Q2
4	Q1
5	Q0
6	PB (Push-button)
7	VDD
8	GND