

# Fenac Draw-Wire Sensor

Length up to 1000 mm



## FNC W55 Series



### Features

- Measurement length up to 1000 mm
- Robust aluminium housing
- Very compact design
- Protection to IP54
- Wire-actuated ancoder for all rotary encoders with 58mm servo flange and different signal outputs
- Stainless steel wire
- Drum circumference is 125 mm
- Linearity is  $\sim \pm 0,35 \%$

### Technical data - electrical ratings

Measuring range	0 - 1000mm
Resolution	customer spesific
Sensor element	Incremental, analog, absolute, CANopen etc.
Temperature range	20 °C ..... +80 °C

### Technical data - mechanical design

Material:	housing:	aluminium
	draw-wire:	7x7 pvc coated 304 stainless steel (Ø 0.8mm)
Wire acceleration		approx. 5g
Wire retraction		approx. 1N
Wire extension		1,5N
Protection class		IP54
Max speed		2m/s

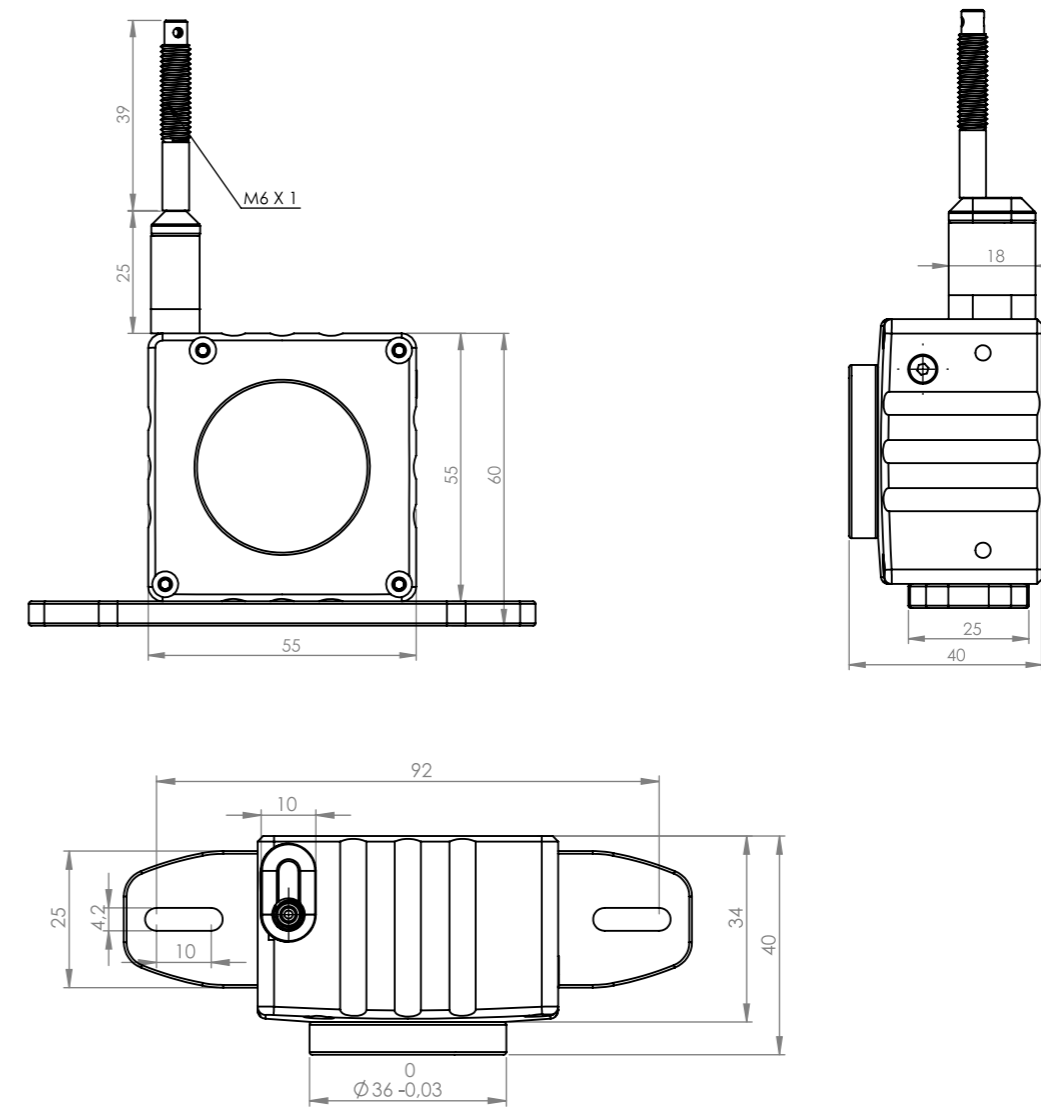
# Fenac Draw-Wire Sensor

Length up to 1000 mm



## FNC W55 Series

### Mechanical dimensions



### Part number

<b>FNC</b>	<b>W</b>	<b>55</b>	<b>-</b>	<b>1000</b>
				<b>Length:</b>
				600: 600mm
				700: 700mm
				800: 800 mm
				900: 900 mm
				1000: 1000mm